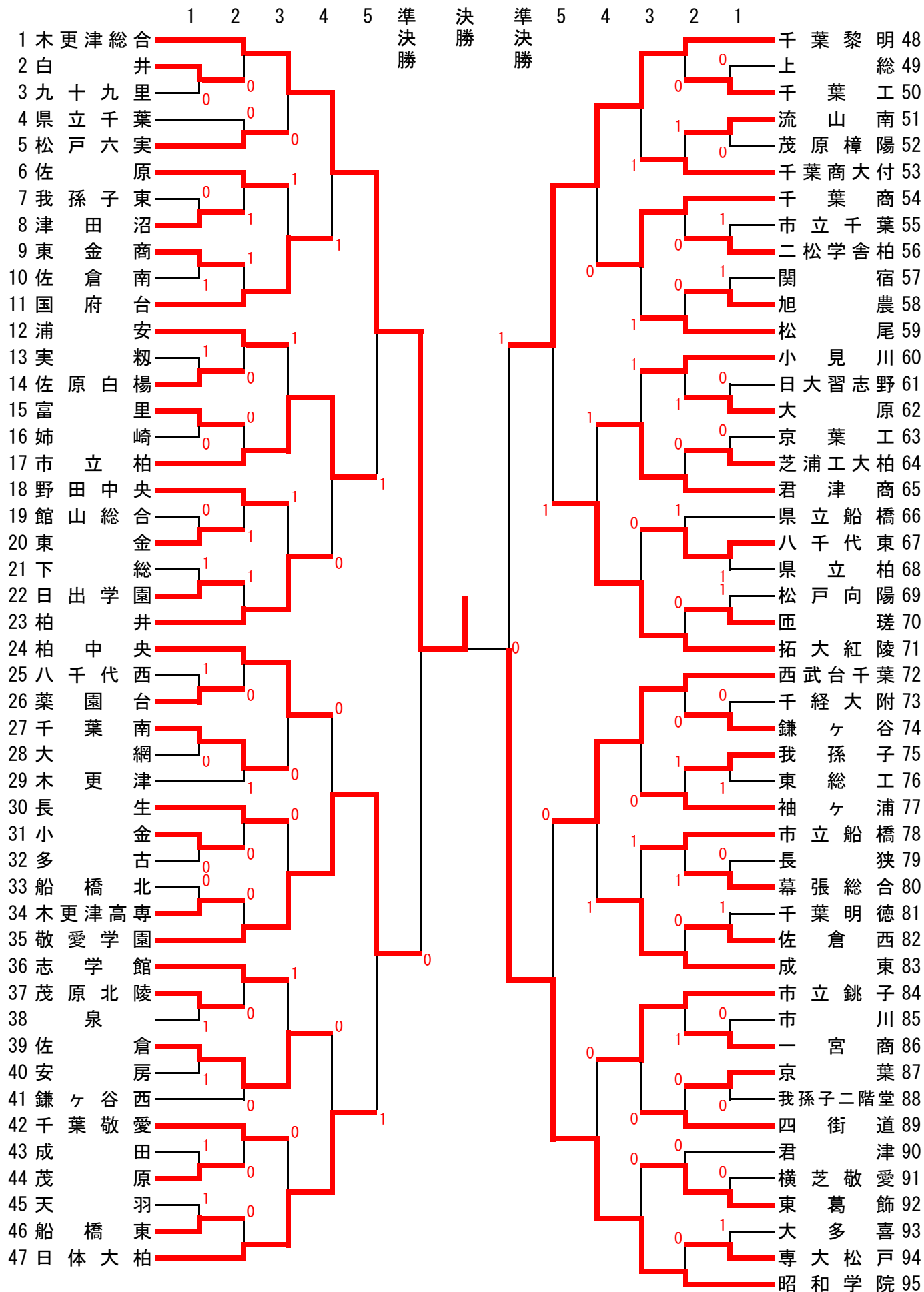


男子団体



男子団体

準決勝

(1) (木更津総合) ② - 0 (敬愛学園) (35) (48) (千葉黎明) 1 - ② (昭和学院) (95)

<p>山下 松橋</p>	} ④	<table border="0"> <tr><td>④</td><td>-</td><td>0</td></tr> <tr><td>④</td><td>-</td><td>1</td></tr> <tr><td>④</td><td>-</td><td>2</td></tr> <tr><td>⑤</td><td>-</td><td>3</td></tr> <tr><td>-</td><td>-</td><td>-</td></tr> <tr><td>-</td><td>-</td><td>-</td></tr> </table>	④	-	0	④	-	1	④	-	2	⑤	-	3	-	-	-	-	-	-	0	{	<p>水野(友) 関</p>	}	3	<table border="0"> <tr><td>2</td><td>-</td><td>④</td></tr> <tr><td>⑥</td><td>-</td><td>4</td></tr> <tr><td>④</td><td>-</td><td>2</td></tr> <tr><td>④</td><td>-</td><td>2</td></tr> <tr><td>4</td><td>-</td><td>⑥</td></tr> <tr><td>2</td><td>-</td><td>④</td></tr> <tr><td>7</td><td>-</td><td>⑨</td></tr> </table>	2	-	④	⑥	-	4	④	-	2	④	-	2	4	-	⑥	2	-	④	7	-	⑨	} ④	{	<p>手島 西山</p>			
④	-	0																																																			
④	-	1																																																			
④	-	2																																																			
⑤	-	3																																																			
-	-	-																																																			
-	-	-																																																			
2	-	④																																																			
⑥	-	4																																																			
④	-	2																																																			
④	-	2																																																			
4	-	⑥																																																			
2	-	④																																																			
7	-	⑨																																																			
<p>遠藤 滝瀬</p>	} ④	<table border="0"> <tr><td>④</td><td>-</td><td>1</td></tr> <tr><td>④</td><td>-</td><td>2</td></tr> <tr><td>4</td><td>-</td><td>⑥</td></tr> <tr><td>④</td><td>-</td><td>0</td></tr> <tr><td>⑥</td><td>-</td><td>4</td></tr> <tr><td>-</td><td>-</td><td>-</td></tr> <tr><td>-</td><td>-</td><td>-</td></tr> </table>	④	-	1	④	-	2	4	-	⑥	④	-	0	⑥	-	4	-	-	-	-	-	-	1	{	<p>飯高 山口</p>	}	④	<table border="0"> <tr><td>④</td><td>-</td><td>2</td></tr> <tr><td>④</td><td>-</td><td>0</td></tr> <tr><td>3</td><td>-</td><td>⑤</td></tr> <tr><td>1</td><td>-</td><td>④</td></tr> <tr><td>④</td><td>-</td><td>2</td></tr> <tr><td>3</td><td>-</td><td>⑤</td></tr> <tr><td>⑦</td><td>-</td><td>4</td></tr> </table>	④	-	2	④	-	0	3	-	⑤	1	-	④	④	-	2	3	-	⑤	⑦	-	4	} 3	{	<p>原 川島</p>
④	-	1																																																			
④	-	2																																																			
4	-	⑥																																																			
④	-	0																																																			
⑥	-	4																																																			
-	-	-																																																			
-	-	-																																																			
④	-	2																																																			
④	-	0																																																			
3	-	⑤																																																			
1	-	④																																																			
④	-	2																																																			
3	-	⑤																																																			
⑦	-	4																																																			
<p>平林 高野</p>	}	<table border="0"> <tr><td>-</td><td>-</td><td>-</td></tr> <tr><td>-</td><td>-</td><td>-</td></tr> <tr><td>-</td><td>-</td><td>-</td></tr> <tr><td>-</td><td>-</td><td>-</td></tr> <tr><td>-</td><td>-</td><td>-</td></tr> </table>	-	-	-	-	-	-	-	-	-	-	-	-	-	-	-		{	<p>青木 塚田</p>	}	2	<table border="0"> <tr><td>3</td><td>-</td><td>⑤</td></tr> <tr><td>⑥</td><td>-</td><td>4</td></tr> <tr><td>2</td><td>-</td><td>④</td></tr> <tr><td>3</td><td>-</td><td>⑤</td></tr> <tr><td>④</td><td>-</td><td>2</td></tr> <tr><td>2</td><td>-</td><td>④</td></tr> </table>	3	-	⑤	⑥	-	4	2	-	④	3	-	⑤	④	-	2	2	-	④	} ④	{	<p>永田 高橋</p>									
-	-	-																																																			
-	-	-																																																			
-	-	-																																																			
-	-	-																																																			
-	-	-																																																			
3	-	⑤																																																			
⑥	-	4																																																			
2	-	④																																																			
3	-	⑤																																																			
④	-	2																																																			
2	-	④																																																			

決勝

(1) (木更津総合) ② - 0 (昭和学院) (95)

<p>山下 松橋</p>	}	<table border="0"> <tr><td>2</td><td>-</td><td>④</td></tr> <tr><td>4</td><td>-</td><td>⑥</td></tr> <tr><td>2</td><td>-</td><td>④</td></tr> <tr><td>④</td><td>-</td><td>0</td></tr> <tr><td>⑤</td><td>-</td><td>3</td></tr> <tr><td>④</td><td>-</td><td>1</td></tr> <tr><td>-</td><td>-</td><td>-</td></tr> </table>	2	-	④	4	-	⑥	2	-	④	④	-	0	⑤	-	3	④	-	1	-	-	-		{	<p>永田 高橋</p>
2	-	④																								
4	-	⑥																								
2	-	④																								
④	-	0																								
⑤	-	3																								
④	-	1																								
-	-	-																								
<p>遠藤 滝瀬</p>	} ④	<table border="0"> <tr><td>④</td><td>-</td><td>0</td></tr> <tr><td>④</td><td>-</td><td>0</td></tr> <tr><td>④</td><td>-</td><td>1</td></tr> <tr><td>⑧</td><td>-</td><td>6</td></tr> <tr><td>-</td><td>-</td><td>-</td></tr> <tr><td>-</td><td>-</td><td>-</td></tr> </table>	④	-	0	④	-	0	④	-	1	⑧	-	6	-	-	-	-	-	-	0	{	<p>原 西山</p>			
④	-	0																								
④	-	0																								
④	-	1																								
⑧	-	6																								
-	-	-																								
-	-	-																								
<p>平林 高野</p>	} ④	<table border="0"> <tr><td>④</td><td>-</td><td>1</td></tr> <tr><td>⑤</td><td>-</td><td>3</td></tr> <tr><td>④</td><td>-</td><td>2</td></tr> <tr><td>④</td><td>-</td><td>0</td></tr> <tr><td>-</td><td>-</td><td>-</td></tr> <tr><td>-</td><td>-</td><td>-</td></tr> </table>	④	-	1	⑤	-	3	④	-	2	④	-	0	-	-	-	-	-	-	0	{	<p>手島 川島</p>			
④	-	1																								
⑤	-	3																								
④	-	2																								
④	-	0																								
-	-	-																								
-	-	-																								